

# 150 SERIES STEEL BELT CONVEYOR PARTS GUIDE

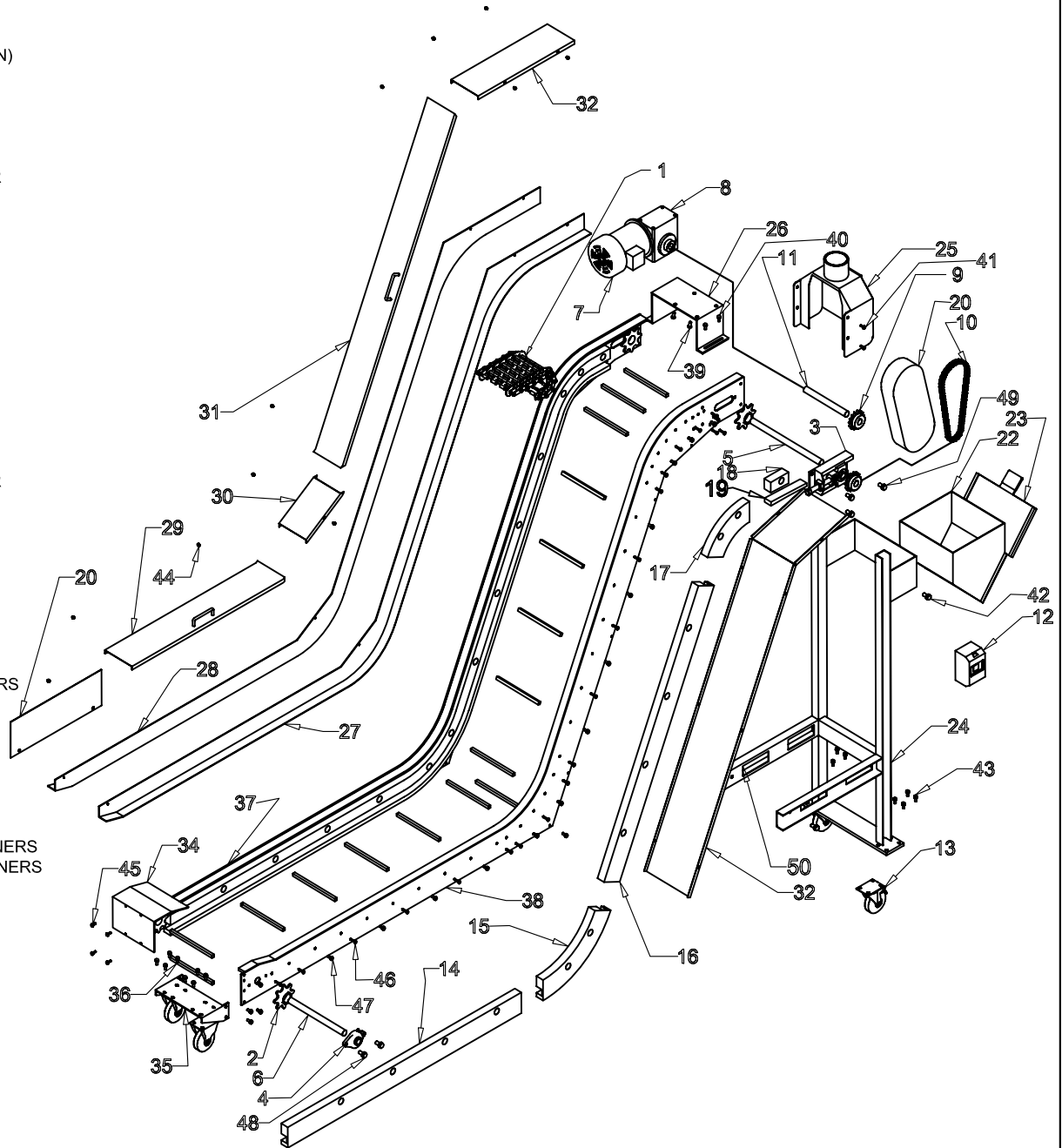
## DRAWING 1

# angor

## MATERIAL HANDLING

2217 EDDIE WILLIAMS RD. TEL: (423) 434-9696  
JOHNSON CITY, TN 37601 FAX: (423) 434-9797

1. BELT (SEE DRAWING 2)
2. BELT SPROCKETS
3. TENSION STATION (SEE DRAWING 3)
4. FLANGE BEARINGS
5. DRIVE SHAFT
6. IDLER SHAFT
7. MOTOR
8. GEARBOX
9. SPROCKETS (DRIVE CHAIN)
10. DRIVE CHAIN
11. GEARBOX SHAFT
12. MOTOR OVERLOAD
13. CASTERS
14. INFEED RUNNER
15. BOTTOM RADIUS RUNNER
16. RISER RUNNER
17. TOP RADIUS RUNNER
18. HEAD RUNNER 1
19. HEAD RUNNER 2
20. CHAIN GUARD
21. DEFLECTOR PLATE
22. INSPECTION BIN
23. INSPECTION BIN DOOR
24. STAND
25. HOOD
26. MOTOR MOUNT
27. RIGHT RAIL
28. LEFT RAIL
29. HINGED INFEED COVER
30. BOTTOM RADIUS RUNNER
31. HINGED RISER COVER
32. HEAD COVER
33. REAR COVER
34. KICK PLATE
35. FRONT CASTER MOUNT
36. CROSS BARS
37. LEFT SIDE WALL
38. RIGHT SIDEWALL
39. GEARBOX FASTENERS
40. MOTOR MOUNT FASTENERS
41. HOOD FASTENERS
42. STAND FASTENERS
43. CASTER FASTENERS
44. COVER FASTENERS
45. KICK PLATE FASTENERS
46. RUNNER FASTENERS
47. CROSS BAR FASTENERS
48. FLANGE BEARING FASTENERS
49. TENSION STATION FASTENERS
50. LIFTING SLOT



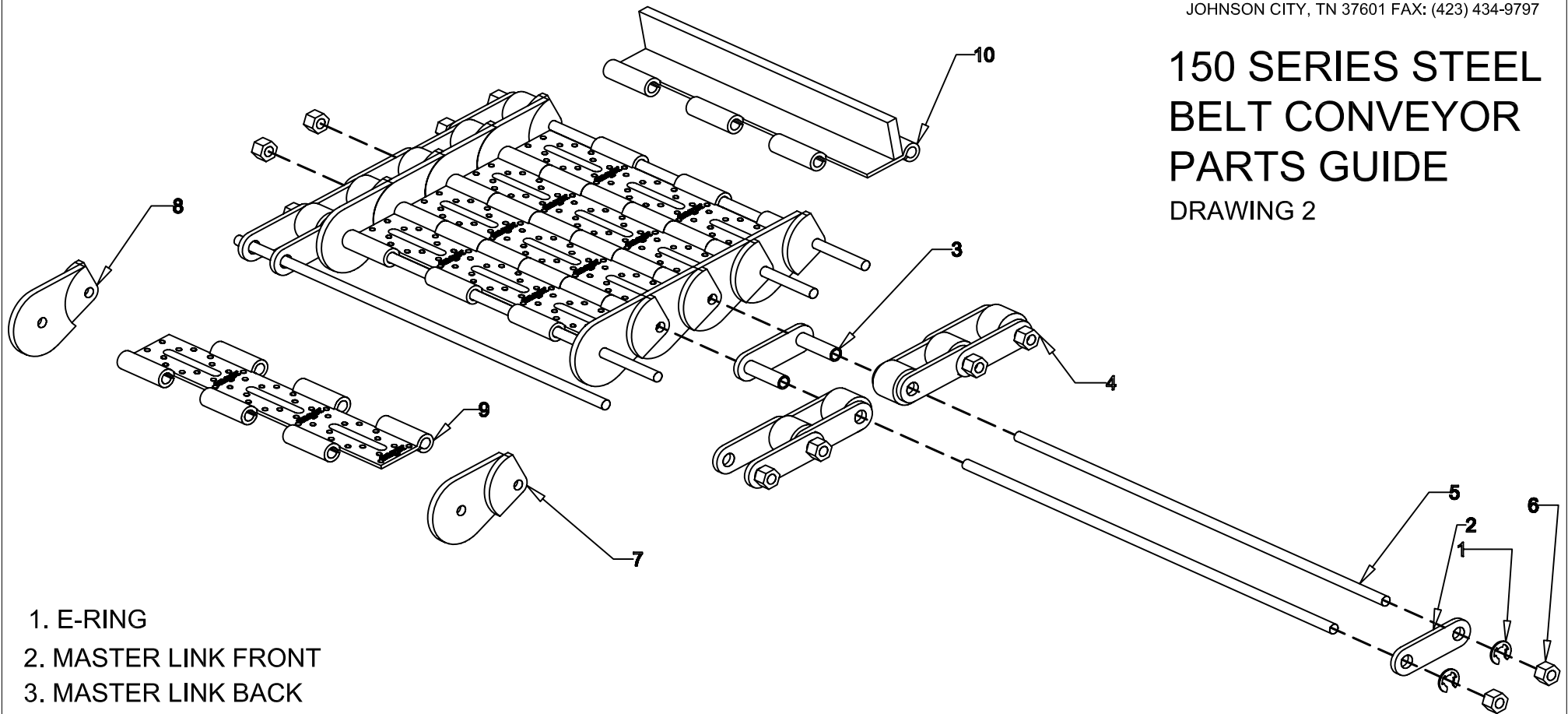
# angor

## MATERIAL HANDLING

2217 EDDIE WILLIAMS RD. TEL: (423) 434-9696  
JOHNSON CITY, TN 37601 FAX: (423) 434-9797

### 150 SERIES STEEL BELT CONVEYOR PARTS GUIDE

DRAWING 2



1. E-RING
2. MASTER LINK FRONT
3. MASTER LINK BACK
4. CHAIN
5. PIN
6. NUT
7. RIGHT ENDPLATE
8. LEFT ENDPLATE
9. HINGE
10. CLEAT HINGE

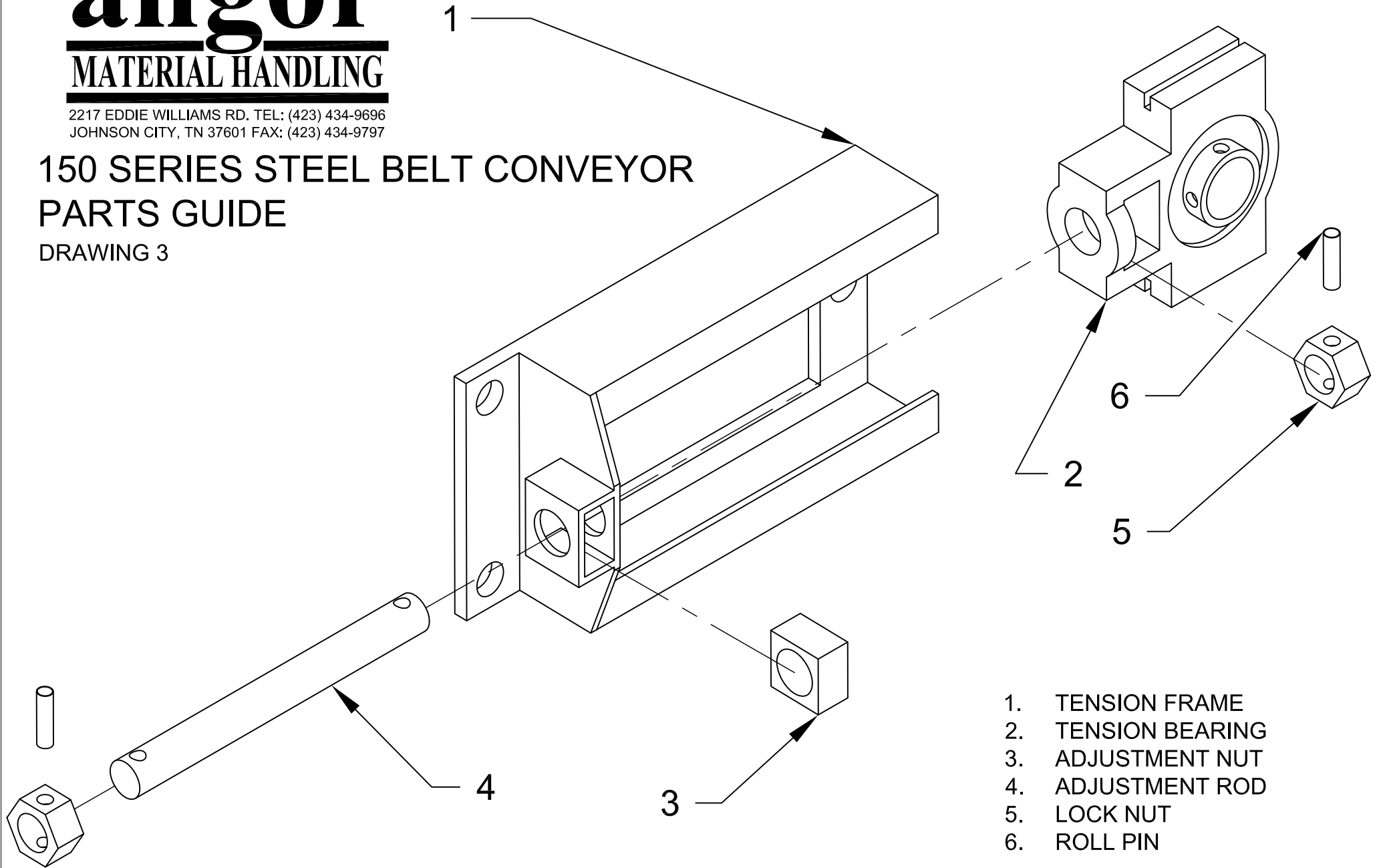
# angor

## MATERIAL HANDLING

2217 EDDIE WILLIAMS RD. TEL: (423) 434-9696  
JOHNSON CITY, TN 37601 FAX: (423) 434-9797

### 150 SERIES STEEL BELT CONVEYOR PARTS GUIDE

DRAWING 3



- 1. TENSION FRAME
- 2. TENSION BEARING
- 3. ADJUSTMENT NUT
- 4. ADJUSTMENT ROD
- 5. LOCK NUT
- 6. ROLL PIN